

Product Change Notification

Author: Feifei Xu
Last updated: July 2021



Type of Change

- Software
- Firmware
- Performance
- Hardware

Affected Products

- Xsens DOT set
- Xsens DOT sensor
- Xsens DOT charger

Description of Change

This Product Change Notification is to inform users of the changes to products mentioned listed above. The Xsens DOT sensor and charger have been upgraded as a drop and replaceable hardware to the existing first generation. Xsens DOT set will now contain the upgraded Xsens DOT sensor (2nd generation) and the updated charger station hereinafter referred to as v2. The 1st generation sensor, charger, and the set will no longer be commercially available with the release of v2 hardware.

Customer Impact

Functionality

This hardware upgrade includes specification improvements as well as user experience optimizations. The dimensions and form factor of the sensor and the charger remain unchanged with respect to the 1st generation. An overview of the changes can be found in the table below.

Table 1: Changes in Xsens DOT sensor

Component/Function	Changes
Weight	The sensor weight has increased from 10.8g to 11.2g
Power button	The power button has been redesigned to make it easier to press and has a better tactile experience.
Power button controller	The power button controller has been updated to enable powering ON the sensor via the power button
LED	The white LED has been replaced with a three-color LED (green, yellow and red).
Housing	The LED display area has been increased along with adjustments to the transparency of the housing for better indication.

Product Change Notification

Author: Feifei Xu
Last updated: July 2021

Internal storage	The sensor internal storage has been increased from 16MB to 64MB
Battery	The battery capacity has been increased - changed from a 45mAh LIR2032 to a 70mAh LIR2032H battery.
Hardware reset	The way to reset the sensor via USB plugin is changed to hardware power off by pressing the power button for over 11 seconds and power on the sensor again by pressing the power button for 2 seconds.

Table 2: Changes in Xsens DOT charger

Function	Changes
Weight	The charger weight (without sensors) is changed from 114.5g to 115g
USB communication	The USB communication hub is integrated in the charger to enable sensor data exporting through the charger from 5 sensors.

Table 3: Changes in Xsens DOT set

Package content	Details
Xsens DOT sensor	Xsens DOT sensor v2
Xsens DOT charger	Xsens DOT charger v2
USB cable	No change

Performance

The orientation performance of the Xsens DOT sensor v2 remains unchanged and the specified accuracy remains identical.

Hardware layout

The Xsens DOT sensor v2 has a different accelerometer reference. See the figures below:

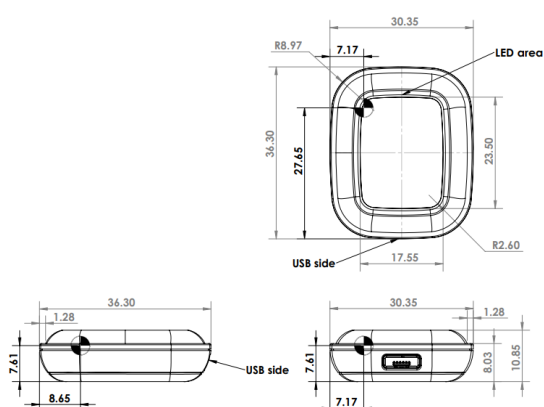


Figure 1: Xsens DOT 1st gen acc reference

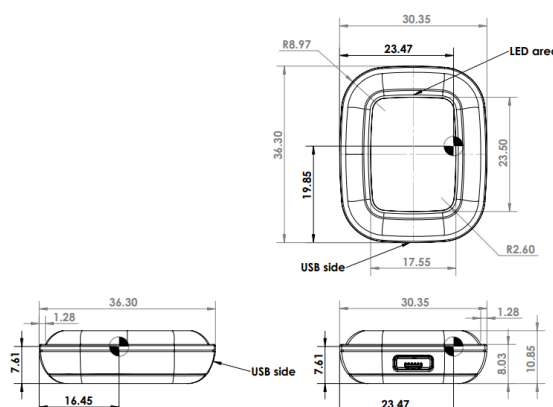


Figure 2: Xsens DOT 2nd gen acc reference

Product Change Notification

Author: Feifei Xu
Last updated: July 2021



Purchasing

Product codes are updated for the Xsens DOT v2 hardware.

Product	Old Product Code	New Product Code
Xsens DOT set	XS-DOT-SET-01	XS-DOT-SET-02
Xsens DOT sensor	XS-T01	XS-T02
Xsens DOT charger	XS-C01	XS-C02

Schedule

Event	Date
Release of Xsens DOT v2 hardware	July 2021